



Part no.: 53800133
BTF830M
Mounting bracket

Figure can vary

Contents

- Technical data
- Dimensioned drawings
- Accessories

Part no.: 53800133 – BTF830M – Mounting bracket

Technical data

Basic data

Suitable for	RSL 400 safety laser scanner
--------------	------------------------------

Mechanical data

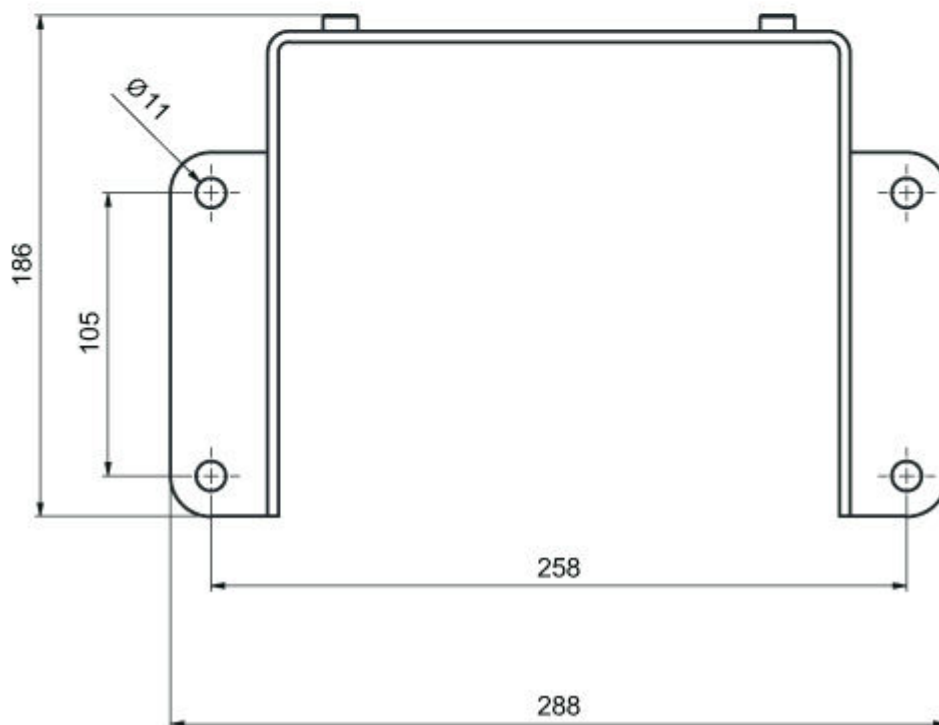
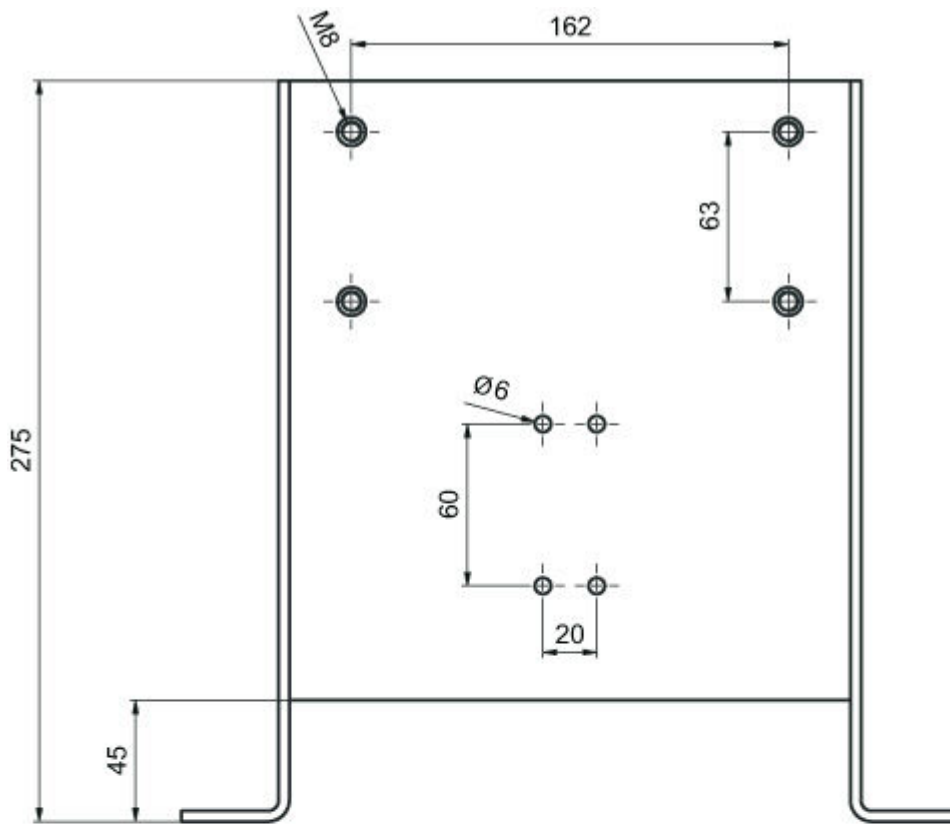
Dimension (W x H x L)	186 mm x 275 mm x 288 mm
Scan level height	300 mm
Net weight	4,090 g
Housing color	Yellow, RAL 1021
Type of fastening, at system	Through-hole mounting
Type of fastening, at device	Screw type
Mounting device material	Metal

Classification

eCl@ss 8.0	27279202
eCl@ss 9.0	27273701

Dimensioned drawings


All dimensions in millimeters



Part no.: 53800133 – BTF830M – Mounting bracket

Accessories

Mounting

	Part no.	Designation	Article	Description
	53800130 *	BTU800M	Mounting system	Dimensions: 54.5 mm x 90 mm x 192 mm Color: Black Type of fastening, at system: Through-hole mounting Type of fastening, at device: Screw type Material: Metal

* Necessary accessories, please order separately